

Power conditioner

Model number
PS459050A



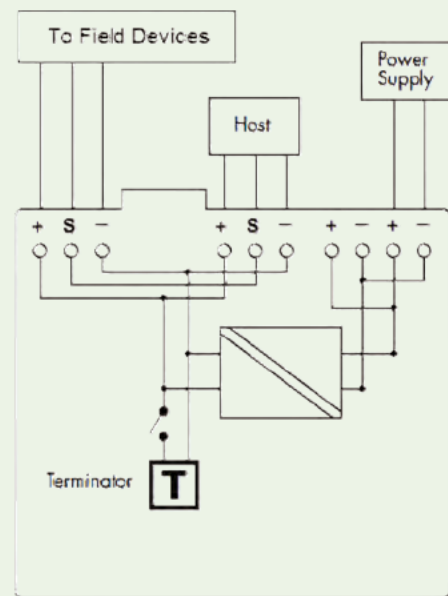
.50 amp power conditioner

This Foundation Fieldbus power conditioner is designed to provide power to the Fieldbus network and attached devices. This power supply meets all Foundation Fieldbus specifications and complies with the requirements of a type FF-831 power supply. (Non-IS power supply) For I.S. applications it must be used with appropriate I.S. barriers.

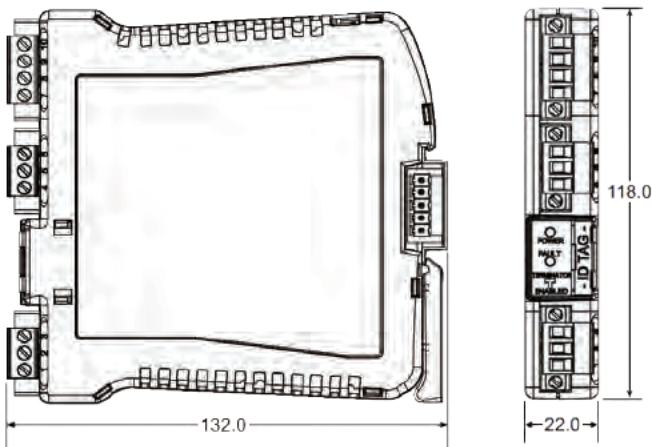


Specifications	
Output voltage	21.5 VDC to 24.0 VDC
Output current	0.50 amps
Input voltage	19.2 to 30.0 VDC
Displays	Power OK, green LED Fault, red LED Terminator enabled, white 'T'
Terminator	Switchable
Operating temperature	-40°C to +65°C (-40° to +149°F)
Housing	Polycarbonate, DIN rail mounting
Dimensions (L, W, H)	22mm, 132mm, 118mm
Ingress protection	IP20, field enclosure required
Approvals	ATEX: Ex nA IIC T4 FM: Class 1 Division 2 groups A,B,C,D CSA: Class 1 Division 2 groups A,B,C,D

Schematic drawing



Dimensions (mm)





Valmet's professionals
around the world work close
to our customers and are
committed to moving our
customers' performance
forward – every day.

Valmet Flow Control Oy

Vanha Porvoontie 229
01380 Vantaa, Finland
flowcontrol@valmet.com
+358 10 417 5000
valmet.com/flowcontrol

**Valmet Flow Control Inc.
Stonel product center**

26271 US Hwy 59, Fergus Falls, MN 56537 USA.
Tel. +1 218 739 5774.
sales.stonel@valmet.com
valmet.com/flowcontrol

